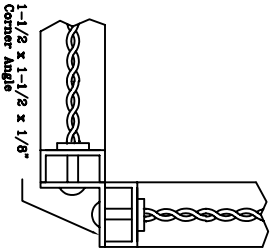
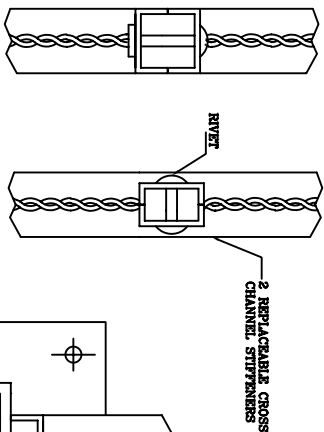


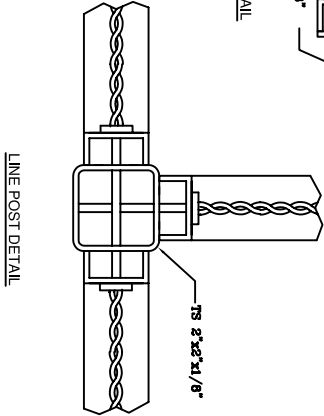
WALL ANCHOR DETAIL



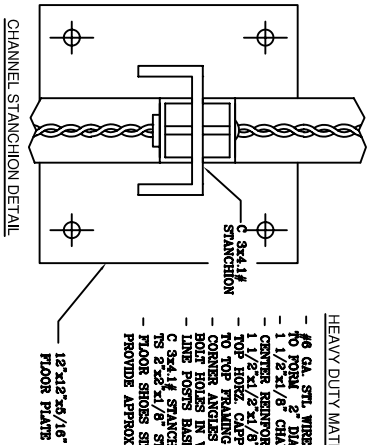
CORNER DETAIL



CONSTRUCTION DETAIL WHEN PARTITION IS OVER 8'-0" TALL



LINE POST DETAIL



CHANNEL STANCHION DETAIL

HEAVY DUTY MATERIAL NOTES:

- #6 GA. STL. WIRE, GROUPED & INTERWOVEN TO FORM 2" DIAMOND MESH
- 1 1/2"x1/8" CHANNEL FRAMING MEMBERS
- CENTER REINFORCEMENT CROSSBARS - CONSIST OF 2"x1/2"x1/8" CHANNELS BOLTED TO CENTER TO TOP FRAMING CHANNELS 7/8"x1/4" BOLTS & WASHERS
- CORNER ANGLES 1 1/2"x1/8" ALIGNED WITH BOLT HOLES IN VERTICAL FRAMING MEMBERS
- LINE POSTS BASE ON PROJECT REQUIREMENTS
- C 3x4.1# STANCHION WELDED TO 12"x12"x3/16" FLOOR PLATE
- FLOOR STOPS SIZED TO SUIT VERTICAL FRAMING AND TO PROVIDE APPROX 3 1/2" CLEARANCE FROM FRAME TO FLOOR

| | | | |
|-------------------------------|----------|--------------------------------------|----------|
| ACMF | | 5000 W. 13th Street, Omaha, NE 68154 | |
| ESTABLISHED 1928 | | 800-828-7755 FAX 402-828-7755 | |
| CUSTOMER NAME | LOCATION | CUSTOMER NAME | LOCATION |
| TITLE HEAVY DUTY WIRE DETAILS | | DATE: 11-11-00 | |
| JOB NO. XXX | REV. NO. | DATE | BY |
| | | | D-XX |